

PRODUCT INFORMATION PACKET

Model No: 5KC49GN0010

Catalog No: C167

General Purpose Motor, 0.50 HP, 1 Ph, 60 Hz, 115/208-230 V, 1800 RPM, 56 Frame, DP



Regal and Marathon are trademarks of Regal Rexnord Corporation or one of its affiliated companies.

©2022 Regal Rexnord Corporation, All Rights Reserved. MC017097E



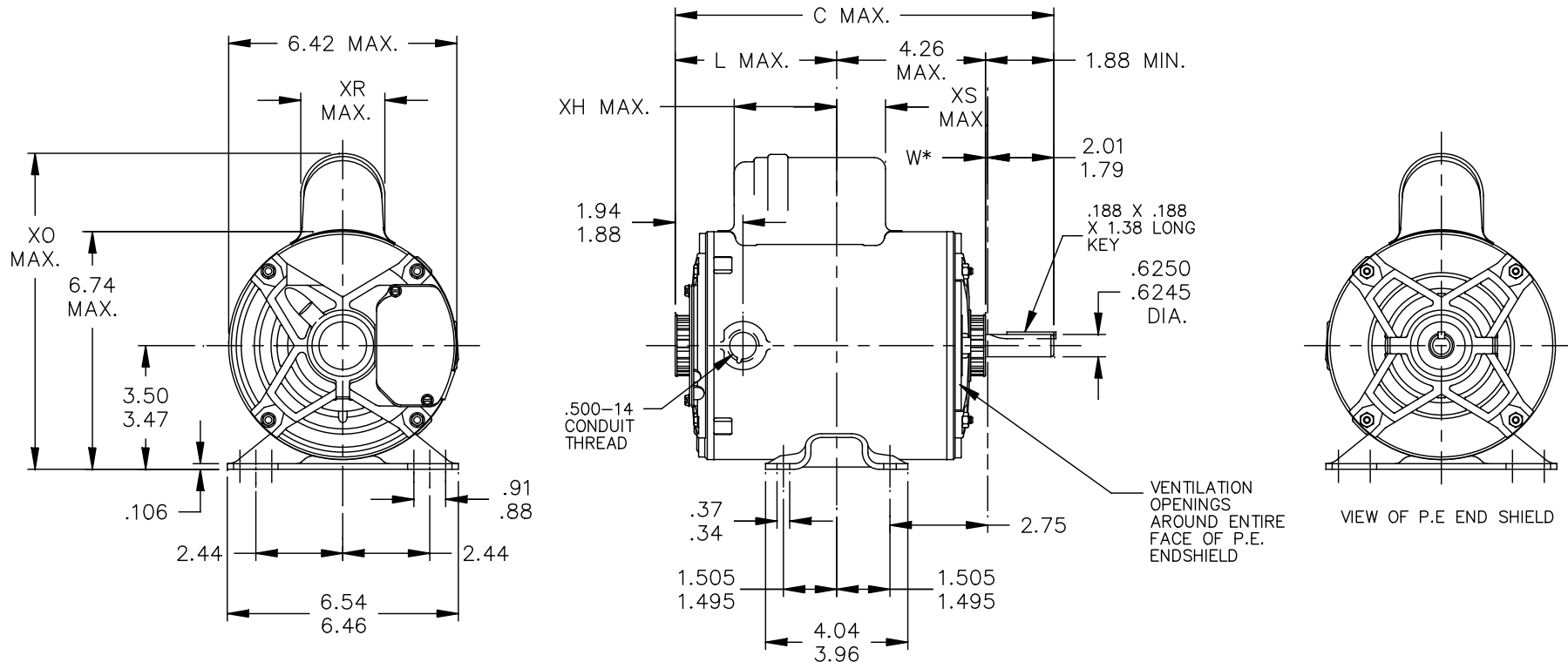
Nameplate Specifications

Output HP	0.50 Hp	Output KW	0.37 kW
Frequency	60 Hz	Voltage	115/208-230 V
Current	8.8,4.2-4.4 A	Speed	1725 rpm
Service Factor	1.25	Phase	1
Efficiency	60.9 %	Power Factor	0
Duty	Continuous	Insulation Class	B
Design Code	-	KVA Code	N
Frame	56	Enclosure	Drip Proof
Thermal Protection	No Protection	Ambient Temperature	40 °C
Drive End Bearing Size	6203	Opp Drive End Bearing Size	6203
UL	Recognized	CSA	Yes
CE	N	Number of Speeds	1

Technical Specifications


Electrical Type	Capacitor start(CSIR)	Starting Method	SM
Poles	4	Rotation	Counterclockwise/Clockwise
Mounting	Rigid Base	Motor Orientation	ANY
Drive End Bearing	BALL	Opp Drive End Bearing	BALL
Frame Material	Rolled Steel	Frame Length	6.15 in
Shaft Extension	.625 X 1.88 - .188 X .188 KEY in		
Outline Drawing	52A107630P4	Connection Drawing	52A105381AA

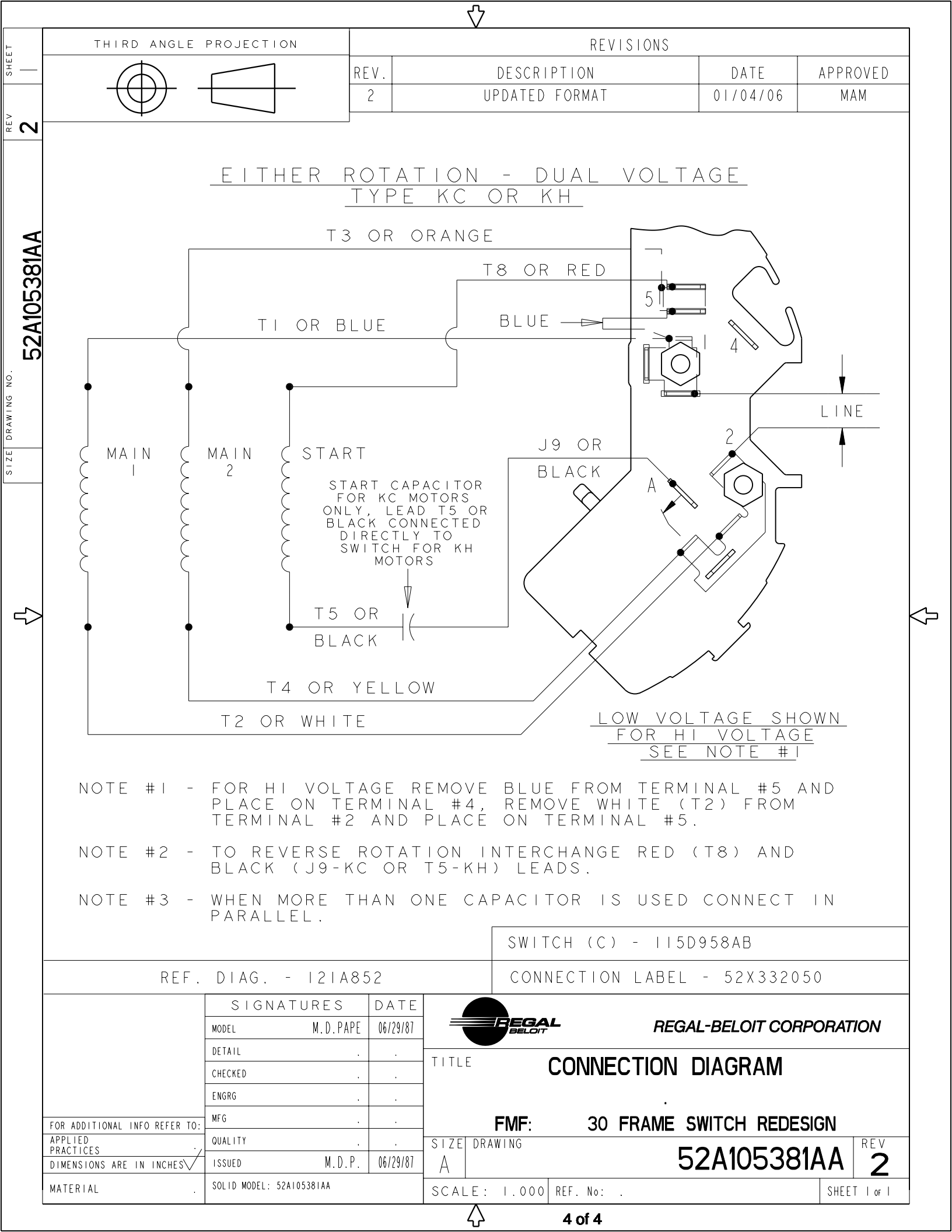
This is an uncontrolled document once printed or downloaded and is subject to change without notice. Date Created:11/28/2022



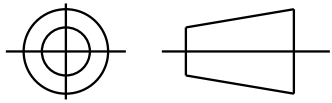
W* IS A VARIABLE CLEARANCE DUE TO VARIATIONS IN PARTS AND ASSEMBLY.

10	KC	49	56	13.13	7.06	3.98	8.62	2.08	1.62	8.99	5	KC	49	56	11.91	5.75	4.16	8.94	2.40	2.12	7.68
9	KC	49	56	11.82	5.75	3.84	8.24	1.58	1.76	7.68	4	KC	49	56	10.38	4.22	2.63	8.94	2.40	1.91	6.15
8	KC	49	56	11.91	5.75	4.16	8.63	2.10	2.12	7.68	3	KC	49	56	11.38	5.22	3.63	8.94	2.40	2.12	7.15
7	KC	48	56	12.66	6.50	4.16	8.94	2.40	2.12	8.43	2	KC	42	56	9.95	3.79	2.20	8.94	2.40	2.34	5.72
6	KC	49	56	11.48	5.22	3.58	8.26	1.60	2.11	7.15	1	KC	46	56	10.78	4.62	2.97	8.94	2.40	2.70	6.55
P	TYPE	RBC SIZE	NEMA FR	"C"	"L"	"XH"	"XO"	"XR"	"XS"	MIN. SHELL	P	TYPE	RBC SIZE	NEMA FR	"C"	"L"	"XH"	"XO"	"XR"	"XS"	MIN. SHELL

											TOLERANCES UNLESS SPECIFIED		 REGAL-BELOIT CORPORATION				DRAWN MDP 10/23/90				
											DEC.	INCHES					CHK				
											.X	±0.1					APPD MDP 04/11/96				
13	P1 DIM. XS WAS 1.51 AND XH WAS 3.03, ECR-0108357							KK	3/29/16	KK	.XX	±0.02	TITLE OUTLINE GENERAL PURPOSE MOTOR - BALL BEARING - WELDED BASE				SCALE 1=1				
12	ADDED PART #10 PER SAMPLE DS 13 - 0960							PVR	02/26/13	RBG	.XXX	±0.005					REF				
11	ADDED PART #9 PER ISO7-0912							MAD	05/01/07		.XXXX	±0.0005	MAT'L.				FMF				
NO.	REVISION							BY & DATE	CHK	ANG	±1.0	FINISH				PREV					
THIS DRAWING IN DESIGN AND DETAIL IS OUR PROPERTY AND MUST NOT BE USED EXCEPT IN CONNECTION WITH OUR WORK ALL RIGHTS OF DESIGN AND INVENTION ARE RESERVED THIS IS AN ELECTRONICALLY GENERATED DOCUMENT - DO NOT SCALE THIS PRINT											RFP	CAD FILE 52A107630				SIZE	DRAWING NO.				REV.
											DIST					A	52A107630				13



THIRD ANGLE PROJECTION



REVISIONS

REV.	DESCRIPTION	DATE	APPROVED
2	UPDATED FORMAT	01/04/06	MAM

EITHER ROTATION - DUAL VOLTAGE
TYPE KC OR KH

T3 OR ORANGE

T8 OR RED

T1 OR BLUE

BLUE

MAIN 1

MAIN 2

START

START CAPACITOR
FOR KC MOTORS
ONLY, LEAD T5 OR
BLACK CONNECTED
DIRECTLY TO
SWITCH FOR KH
MOTORS

T5 OR
BLACK

J9 OR
BLACK

LINE

T2 OR WHITE

T4 OR YELLOW

LOW VOLTAGE SHOWN
FOR HI VOLTAGE
SEE NOTE #1


- NOTE #1 - FOR HI VOLTAGE REMOVE BLUE FROM TERMINAL #5 AND PLACE ON TERMINAL #4, REMOVE WHITE (T2) FROM TERMINAL #2 AND PLACE ON TERMINAL #5.
- NOTE #2 - TO REVERSE ROTATION INTERCHANGE RED (T8) AND BLACK (J9-KC OR T5-KH) LEADS.
- NOTE #3 - WHEN MORE THAN ONE CAPACITOR IS USED CONNECT IN PARALLEL.

SWITCH (C) - 115D958AB

REF. DIAG. - 121A852

CONNECTION LABEL - 52X332050

	SIGNATURES	DATE
MODEL	M. D. PAPE	06/29/87
DETAIL	.	.
CHECKED	.	.
ENGRG	.	.
MFG	.	.
FOR ADDITIONAL INFO REFER TO:		
APPLIED PRACTICES	QUALITY	.
DIMENSIONS ARE IN INCHES ✓	ISSUED	M. D. P. 06/29/87
MATERIAL	SOLID MODEL: 52A105381AA	



REGAL-BELOIT CORPORATION

TITLE

CONNECTION DIAGRAM

FMF: 30 FRAME SWITCH REDESIGN

SIZE DRAWING

52A105381AA

SCALE: 1.000 REF. No: . SHEET 1 of 1